

इंटरनेट

मानक

Disclosure to Promote the Right To Information

Whereas the Parliament of India has set out to provide a practical regime of right to information for citizens to secure access to information under the control of public authorities, in order to promote transparency and accountability in the working of every public authority, and whereas the attached publication of the Bureau of Indian Standards is of particular interest to the public, particularly disadvantaged communities and those engaged in the pursuit of education and knowledge, the attached public safety standard is made available to promote the timely dissemination of this information in an accurate manner to the public.

“जानने का अधिकार, जीने का अधिकार”

Mazdoor Kisan Shakti Sangathan

“The Right to Information, The Right to Live”

“पुराने को छोड़ नये के तरफ”

Jawaharlal Nehru

“Step Out From the Old to the New”

IS 13984-2-3 (1994): Link and test connectors, Part 2: Socket for conventional wiring, Section 3: four-way socket link and test connector [LITD 3: Electromechanical Components and Mechanical Structures for Electronic Equipment]



“ज्ञान से एक नये भारत का निर्माण”

Satyanarayan Gangaram Pitroda

“Invent a New India Using Knowledge”



“ज्ञान एक ऐसा खजाना है जो कभी चुराया नहीं जा सकता है”

Bhartrhari—Nitiśatakam

“Knowledge is such a treasure which cannot be stolen”

BLANK PAGE



DDLS

IS 13984 (Part 2/Sec 3) : 1994

भारतीय मानक
संपर्क और परिक्षण संयोजनों की विशिष्टि

भाग 2 पारम्परिक तारस्थापन के लिए साकेट
अनुभाग 3 चार मार्गी साकेट सम्पर्क और परीक्षण कनेक्टर

Indian Standard

**LINK AND TEST CONNECTORS —
SPECIFICATION**

PART 2 SOCKET FOR CONVENTIONAL WIRING

Section 3 Four-Way Socket Link and Test Connector

UDC 621'316'541'029'42/'53 : 621'38'038

© BIS 1994

BUREAU OF INDIAN STANDARDS
MANAK BHAVAN, 9 BAHADUR SHAH ZAFAR MARG
NEW DELHI 110002

April 1994

Price Group 1

FOREWORD

This Indian Standard (Part 2/Sec 3) was adopted by the Bureau of Indian Standards, after the draft finalized by the Connectors for Electronic Equipment Sectional Committee had been approved by the Electronics and Telecommunication Division Council.

This standard shall be read in conjunction with IS 13984 (Part 1) : 1994.

While preparing this standard, assistance has been derived from IEC Pub 130-12 (1976) Connectors for Frequencies below 3 MHz Part 12 : Link and test connectors issued by the International Electrotechnical Commission. The connectors covered in this standard are equivalent to 130-12 IEC-S03 type.

For the purpose of deciding whether a particular requirement of this standard is complied with, the final value, observed or calculated, expressing the result of a test or analysis, shall be rounded off in accordance with IS 2 : 1960 'Rules for rounding off numerical values (*revised*)'. The number of significant places retained in the rounded off value should be the same as that of the specified value in this standard.

Indian Standard

LINK AND TEST CONNECTORS — SPECIFICATION

PART 2 SOCKET FOR CONVENTIONAL WIRING

Section 3 Four-Way Socket Link and Test Connector

1 SCOPE

This Indian Standard (Part 2/Sec 3) lays down outline dimensions of Four-way socket link and connector for conventional wiring.

2 REFERENCES

The following Indian Standard has been referred to in this standard:

IS No.	Title
13984	Link and Test Connectors— (Part 1) : 1994 Specification : Part 1 Test Schedule and Requirements

3 MATERIALS AND WORKMANSHIP

See 4 of IS 13984 (Part 1) : 1994

4 TYPE DESIGNATION

The type designation according to 5 of IS 13984 (Part 1) : 1994 for this type of connector is as given below:

13984 IS-SO3

5 OUTLINE AND DIMENSIONS

The outline and dimensions shall be according to Fig. 1 and Table 1.

Table 1 Sockets (Type 13984 IS-SO3)

Reference	mm		Reference	mm	
	Max	Min		Max	Min
A	10.3	—	L	9.3	9.15
A ₁	5.4	—	M	9.3	9.15
B	4.5	4.2	N	5.15	5.01
C	10.1	9.95	N ₁	3.88	3.74
D	10.1	9.95	R	—	0.4
E	3.4	3.2	S	5.1	—
			S ₁	5.1	—

6 GAUGES

See 7 of IS 13984 (Part 1) : 1994

7 RATED VALUES

Rated Voltage : 250 V rms (not for mains)
Rated Current : 8 A

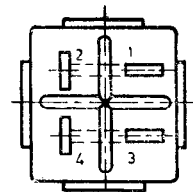
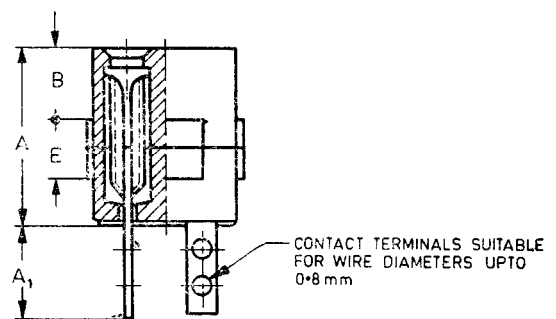
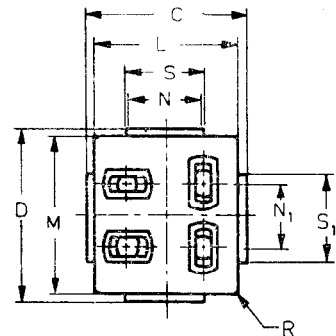


FIG. 1 OUTLINE AND DIMENSIONS

8 CLIMATIC CATEGORIES

Climatic category	: 40/70/21
Temperature range	: -40 degree C to +70 degree C
Damp heat, steady state	: 21 days
Severity	: H12 (Number of cycles = 2 and Number of days = 21)

9 TESTS

Provisions of 19 of IS 13984 (Part 1) : 1994 shall be applicable.

10 MARKING

10.1 Each piece of connector shall be legibly and indelibly, marked with the following:

- a) Type designation in accordance with the relevant specification,
- b) Manufacturer's name or trade-mark,
- c) Identification on contacts as indicated by the relevant specification,
- d) Any other mark as agreed to between the manufacturer and the customer, and

e) country of manufacturer.

10.2 BIS Certification Marking

The product may also be marked with Standard Mark.

10.2.1 The use of Standard Mark is governed by the provisions of Bureau of Indian Standards Act, 1986 and the rules and regulations made thereunder. The details of conditions under which the licence for the use of Standard Mark may be granted to manufacturers or producers may be obtained from the Bureau of Indian Standards.

Bureau of Indian Standards

BIS is a statutory institution established under the *Bureau of Indian Standards Act, 1986* to promote harmonious development of the activities of standardization, marking and quality certification of goods and attending to connected matters in the country.

Copyright

BIS has the copyright of all its publications. No part of these publications may be reproduced in any form without the prior permission in writing of BIS. This does not preclude the free use, in the course of implementing the standard, of necessary details, such as symbols and sizes, type or grade designations. Enquiries relating to copyright be addressed to the Director (Publications), BIS.

Revision of Indian Standards

Indian Standards are reviewed periodically and revised, when necessary and amendments, if any, are issued from time to time. Users of Indian Standards should ascertain that they are in possession of the latest amendments or edition.

This Indian Standard has been developed from Doc : No. LTD 16 (1480)

Amendments Issued Since Publication

Amend No.	Date of Issue	Text Affected

BUREAU OF INDIAN STANDARDS

Headquarters:

Manak Bhavan, 9 Bahadur Shah Zafar Marg, New Delhi 110002
Telephones : 331 01 31, 331 13 75

Telegrams : Manaksanstha
(Common to all Offices)

Regional Offices:

	Telephone
Central : Manak Bhavan, 9 Bahadur Shah Zafar Marg NEW DELHI 110002	{ 331 01 31 331 13 75
Eastern : 1/14 C. I. T. Scheme VII M, V. I. P. Road, Maniktola CALCUTTA 700054	{ 37 84 99, 37 85 61 37 86 26, 37 86 62
Northern : SCO 445-446, Sector 35-C, CHANDIGARH 160036	{ 53 38 43, 53 16 40 53 23 84
Southern : C. I. T. Campus, IV Cross Road, MADRAS 600113	{ 235 02 16, 235 04 42 235 15 19, 235 23 15
Western : Manakalaya, E9 MIDC, Marol, Andheri (East) BOMBAY 400093	{ 632 92 95, 632 78 58 632 78 91, 632 78 92
Branches : AHMADABAD. BANGALORE. BHOPAL. BHUBANESHWAR. COIMBATORE. FARIDABAD. GHAZIABAD. GUWAHATI. HYDERABAD. JAIPUR. KANPUR. LUCKNOW. PATNA. THIRUVANANTHAPURAM.	